

ACDS.5

ArtiosCAD Designer Solution

Artios CAD corrugated

2. FEFCO 500,600series

	資料NO.	ファイル名
Corrugated		
1,Artops CAD Corrugated_-----	ACDS.1	Artops CAD Corrugated & Trays
2,FEFCO		
FEFCO 200series -----	ACDS.2	FEFCO 200series
FEFCO 300series -----	ACDS.3	FEFCO 300series
FEFCO 400series -----	ACDS.4	FEFCO 400series
FEFCO 500series -----	ACDS.5	FEFCO 500,600series
FEFCO 600series -----		
FEFCO 700series -----	ACDS.6	FEFCO 700,900series
FEFCO 900series -----		
2b,FEFCO(nur metrisch)-----	ACDS.7	FEFCO nur metrisch200,400,700serie
Folding Carton		
1,ArtiosCAD Folding Carton ---	ACDS.8	ArtiosCAD foldingCarton
2,ECMA -----	ACDS.9	foldingCarton2,ECMA

Printer

UJF-6042

UV PRINTER



Cutting plotter

CFL-605RT



Ink

LH-100



Media

Coated card board 230g



Laminating film

PP Hot Laminating film
9327KA × 500 25μ



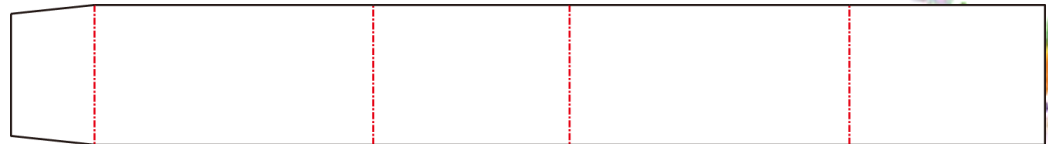
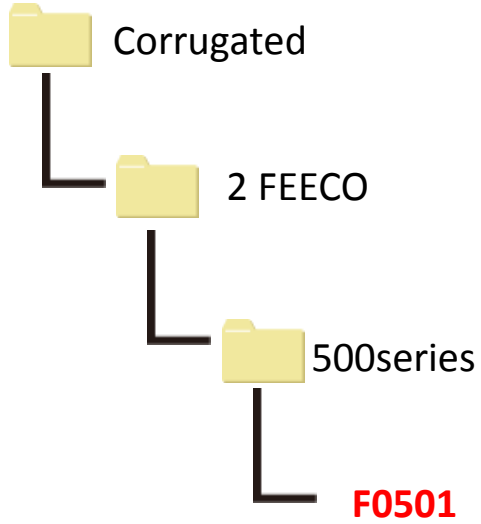
500series

ACDS.5-1



File name

F0501



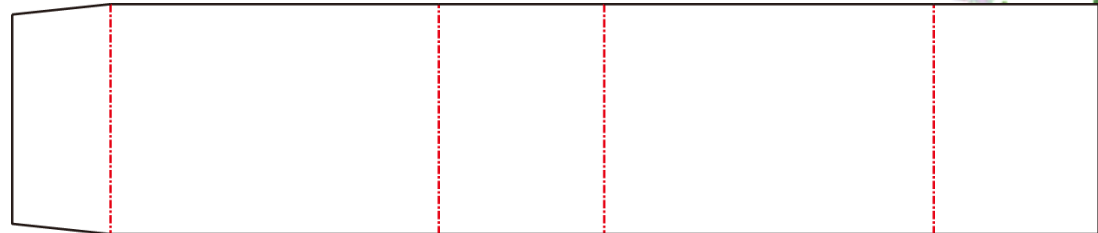
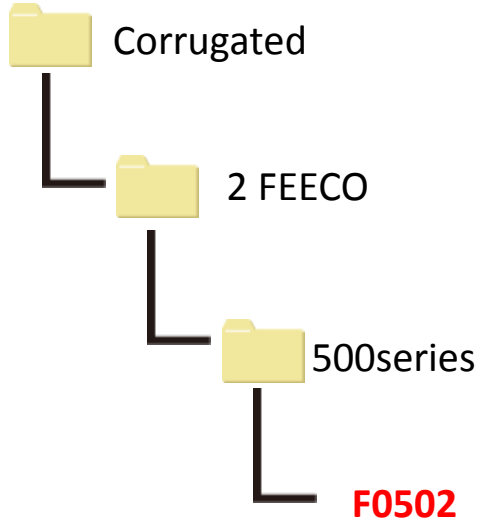
500series

ACDS.5-2

Mimaki™

File name

F0502



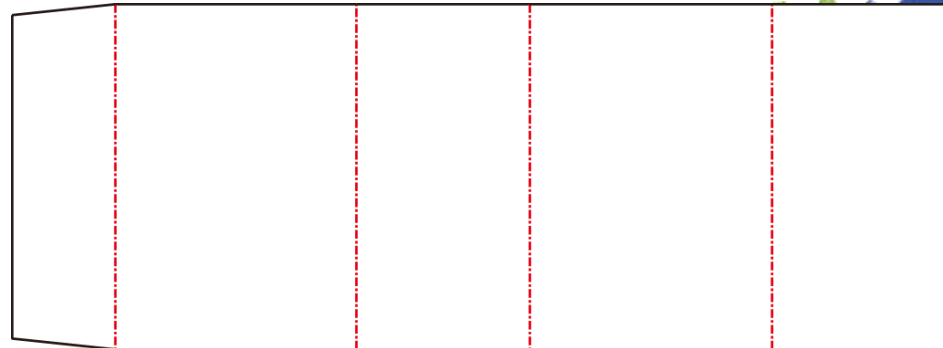
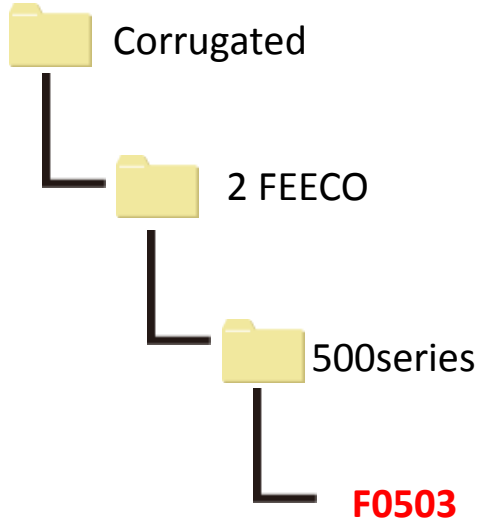
500series

ACDS.5-3

Mimaki™

File name

F0503



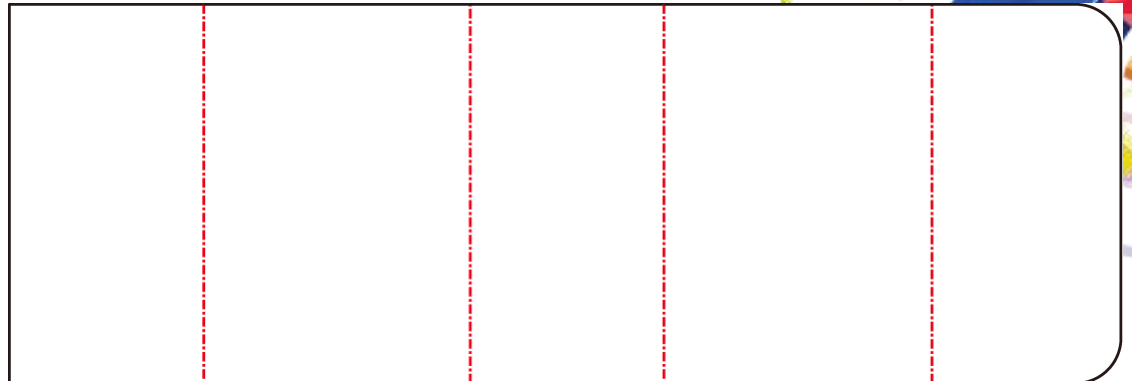
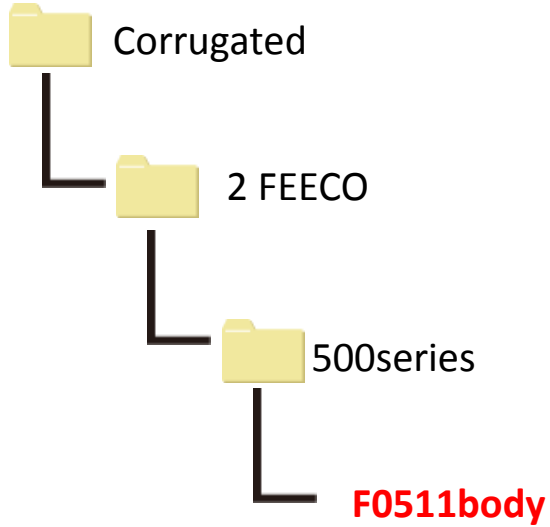
500series

ACDS.5-4



File name

F0511body

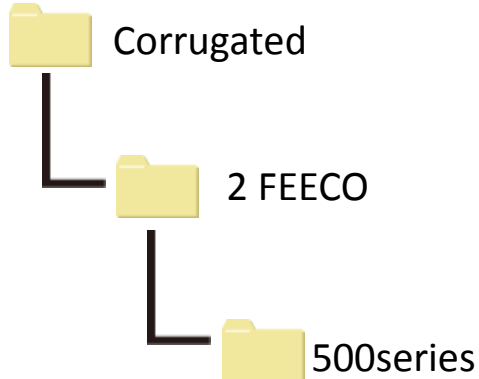


500series

ACDS.5-5

File name

F0511End panel



F0511End panel



Mimaki™

500series

ACDS.5-6

MIMAKI™

File name

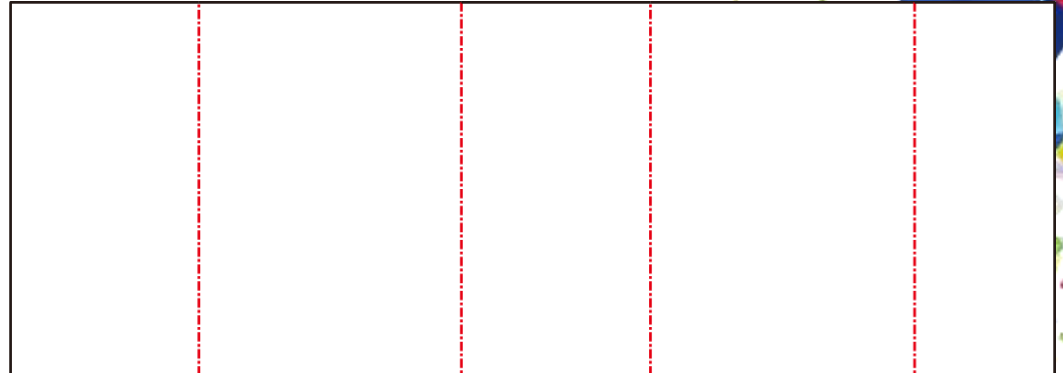
F0608Body

Corrugated

2 FEECO

600series

F0608Body

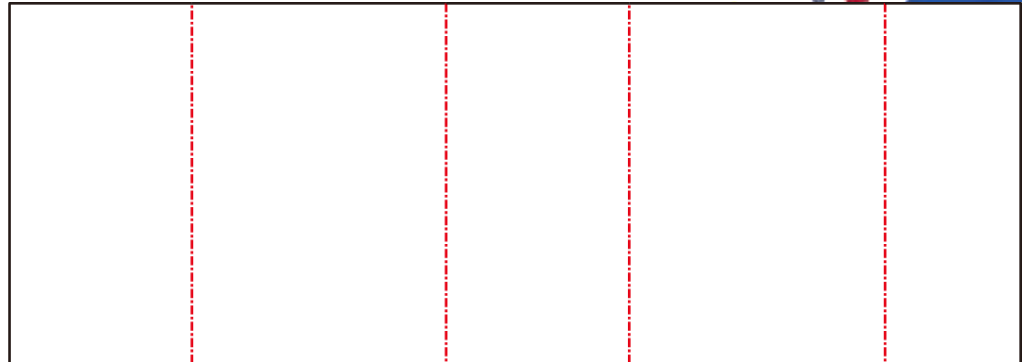
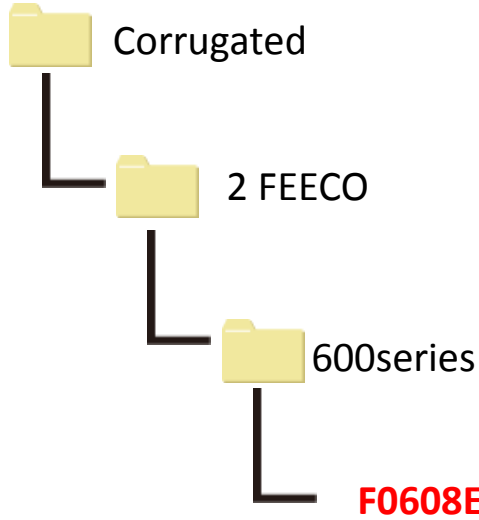


500series

ACDS.5-7

File name

F0608End Panel

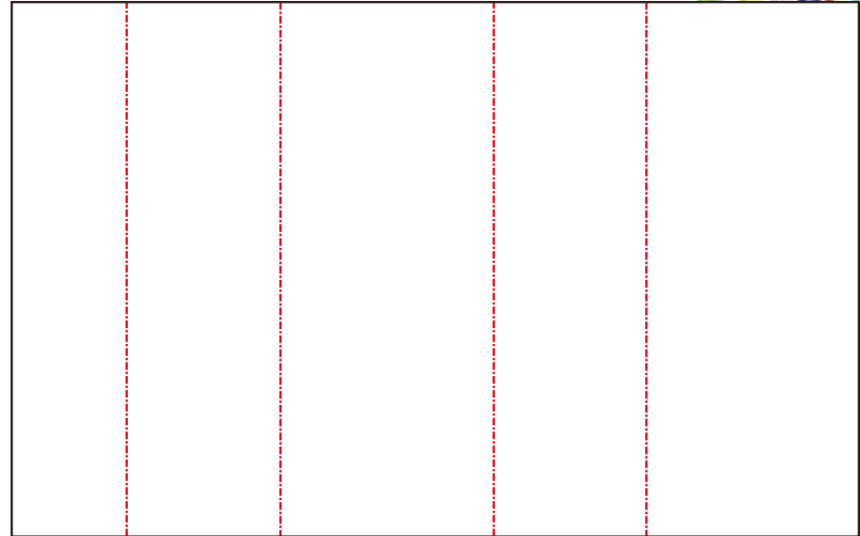
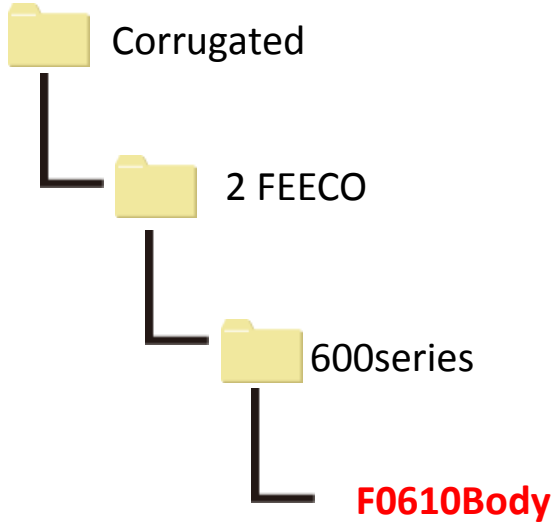


500series

ACDS.5-8

File name

F0610Body



Mimaki™

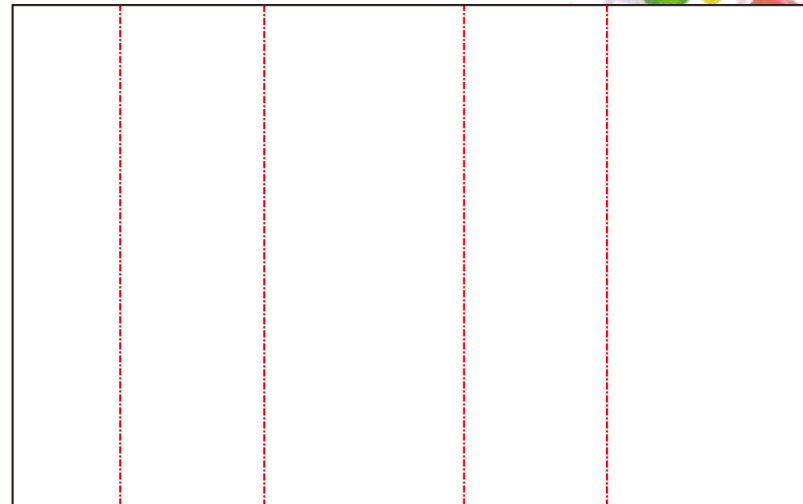
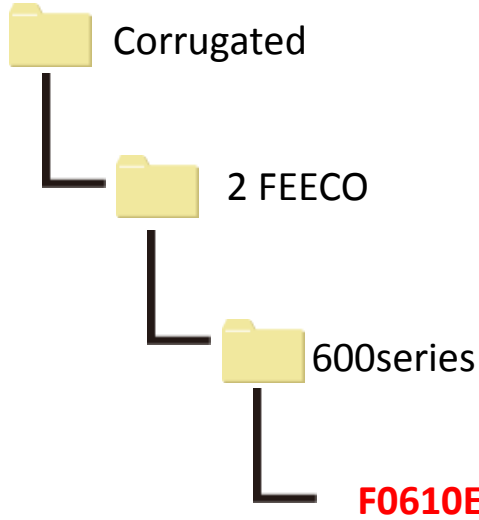
500series

ACDS.5-9



File name

F0610End Panel



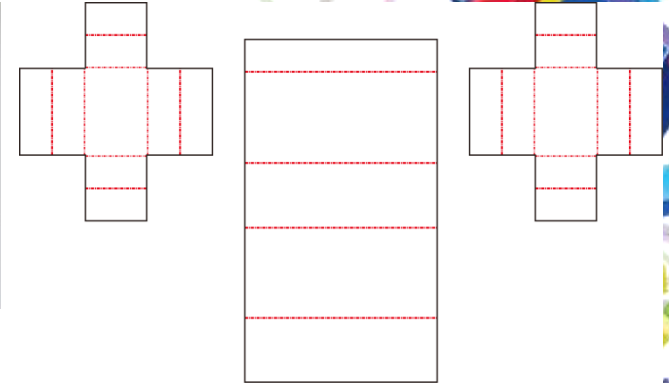
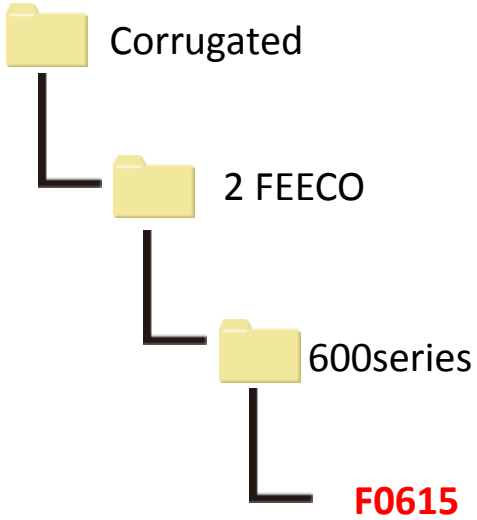
500series

ACDS.5-10

Mimaki™

File name

F0615



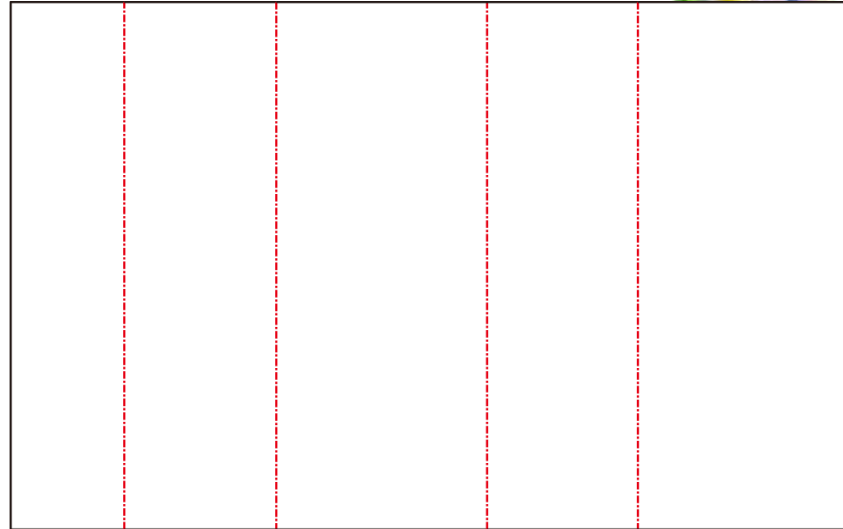
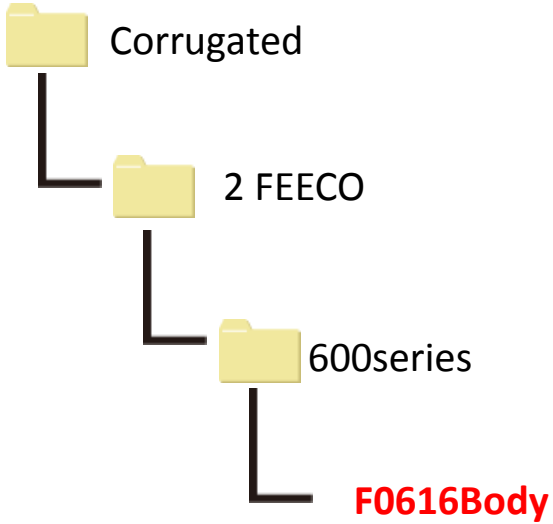
500series

ACDS.5-11

Mimaki™

File name

F0616Body

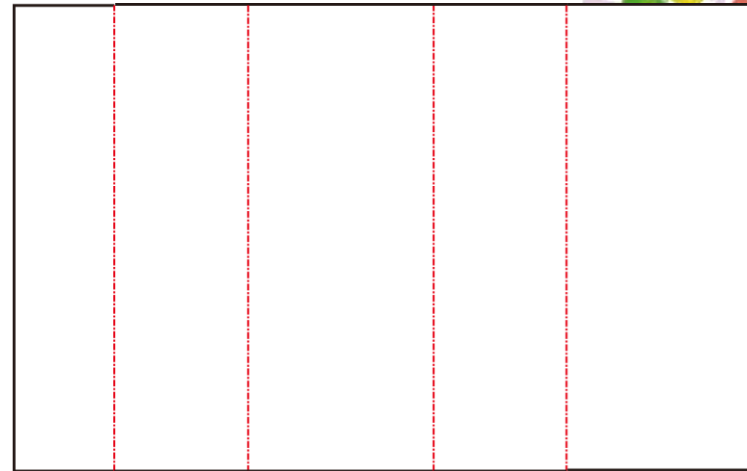
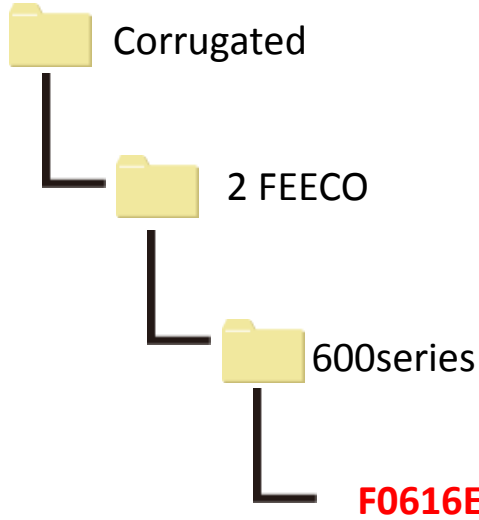


500series

ACDS.5-12

File name

F0616End Panel

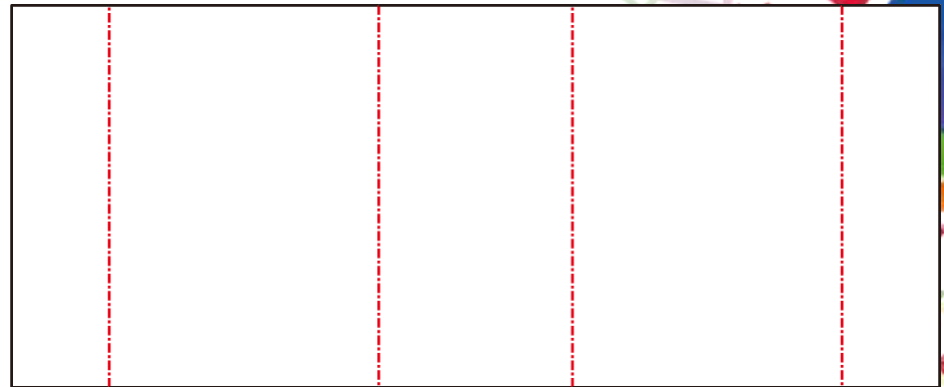
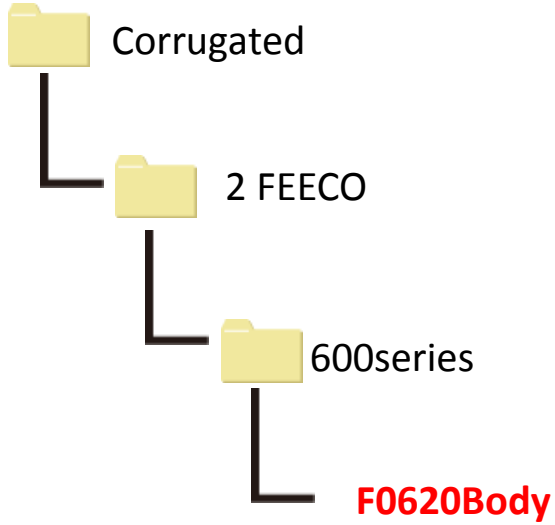


500series

ACDS.5-13

File name

F0620Body

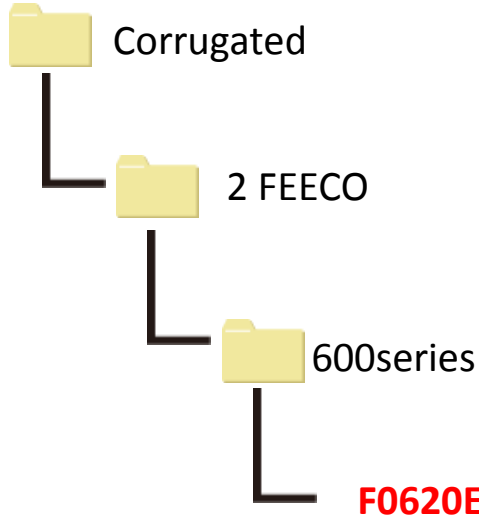


500series

ACDS.5-14

File name

F0620End Panel



Mimaki